



Order No. **X-BF45DXP**
Model No. **BF45DXP**

Notes:

Section 10309 - Manufactured Electric Fireplaces

PART 1 GENERAL

1.1 SECTION INCLUDES

- A. Manufactured electric fireplaces.
- B. Accessories

1.2 RELATED SECTIONS

- A. Section 06100 - Rough Carpentry: Wood framed rough opening and enclosure.

1.3 REFERENCES

- A. UL - 2021
- B. CSA - C22.2 No. 46-13

1.4 SUBMITTALS

- A. Submit under provisions of Section 01300.
- B. Product Data: Manufacturer's data sheets on each product to be used, including:
 - 1. Preparation instructions and recommendations.
 - 2. Storage and handling requirements and recommendations.
 - 3. Installation methods.
- C. Manufacturer's Certificates: Certify products meet or exceed specified requirements.
- D. Manufacturer's warranty.

1.5 DELIVERY, STORAGE, AND HANDLING

- A. Store products in manufacturer's unopened packaging until ready for installation.
- B. Protect materials from exposure to moisture. Do not deliver until after wet work is complete and dry.

1.6 WARRANTY

- A. Provide the manufacturer's 2-year limited warranty on electrical components.

PART 2 PRODUCTS

2.1 ACCEPTABLE MANUFACTURERS

- A. Pre-fabricated Electric Fireplace:
 - 1. Base: Dimplex Electric Fireplace
Glen Dimplex Americas
1367 Industrial Road
Cambridge ON N3H 4W3
1-888-346-7539
www.dimplex.com
 - 2. Substitutions not permitted
 - 3. Requests for substitutions will be considered in accordance with provisions of Section 01600.



Order No. **X-BF45DXP**
Model No. **BF45DXP**

Notes:

Section 10309 - Manufactured Electric Fireplaces

2.2 ELECTRIC FIREPLACES

A. General:

1. Provide all components and accessories required for a complete, functional unit.
2. UL or CSA listed.

B. Pre-fabricated Electric Fireplace:

1. Base Product:
 - a) Dimplex Electric Fireplace
 - b) Material Number: X-BF45DXP (Model: BF45DXP)
2. Description: Realistic 45" Direct-wire Electric Firebox
3. Dimensions:
 - a) Width: 44-3/4" / 113.7 cm
 - b) Height: 32-3/4" / 83.2 cm
 - c) Depth: 15-1/4" / 38.7 cm
 - d) Height at back: 30-1/8" / 76.5 cm
4. Framing Dimensions:
 - a) Width: 45-1/2" / 115.6 cm
 - b) Height: 33-1/2" / 85.1 cm
 - c) Depth: 16" / 40.6 cm
5. Electrical:
 - a) Volts: 120 / 240 / 208
 - b) Watts: 1,440 / 2,700 / 2,100
 - c) BTUs: 5,000 / 9,200 / 7,200
 - d) Amps: 12.0 / 11.3 / 10.1
6. Venting: Non-venting
7. Operation: Flame only, flame and heat
8. Heating: Louver-less, fan-forced circulation
9. Liner: Steel
10. Standard features:
 - a) Flame/ember bed on/off
 - b) Direct wire 120V or 240V
 - c) 3D flame effect with mirrored rear glass
 - d) On-demand fan-forced heater
 - e) Operable mesh spark screens
 - f) Cast urethane, inner-glow logs and pulsing ember bed



Order No. **X-BF45DXP**
Model No. **BF45DXP**

Notes:

Section 10309 - Manufactured Electric Fireplaces

11. Control options:
 - a) 3-stage remote control (flame, flame and half-heat, flame and full-heat)
 - b) Wall switch remote control kit
 - c) Wall-mount thermostat

12. Optional:
 - a) Bi-fold look glass door BFDOOR45BLKSM
 - b) Tamper-proof glass door BFGLASS45BLK
 - c) Trim kit: 3" black surround trim BF4TRIM45
 - d) 110/120V plug kit with 7 ft. cord BFPLUGE

PART 3 EXECUTION

3.1 INSPECTION

- A. Do not begin installation until substrates have been properly prepared.
- B. If substrate preparation is the responsibility of another installer, notify Architect of unsatisfactory preparation before proceeding.
- C. Verify proper power supply and fuel source are available.

3.2 PREPARATION

- A. Clean surfaces thoroughly prior to installation.
- B. Prepare surfaces using the methods recommended by the manufacturer for achieving the best result for the substrate under the project conditions.

3.3 INSTALLATION

- A. Install in accordance with manufacturer's instructions and requirements of authorities having jurisdiction.
- B. Use manufacturer's guidelines for minimum clearances to combustibles, walls, and finishes.
- C. Anchor all components firmly in position for long life under hard use.
- D. Upon completion of installation, visually inspect all exposed surfaces. Touch up scratches and abrasions with touch up paint recommended by the manufacturer; make imperfections invisible to the unaided eye from a distance of 5 feet (1.5 m).

3.4 PROTECTION

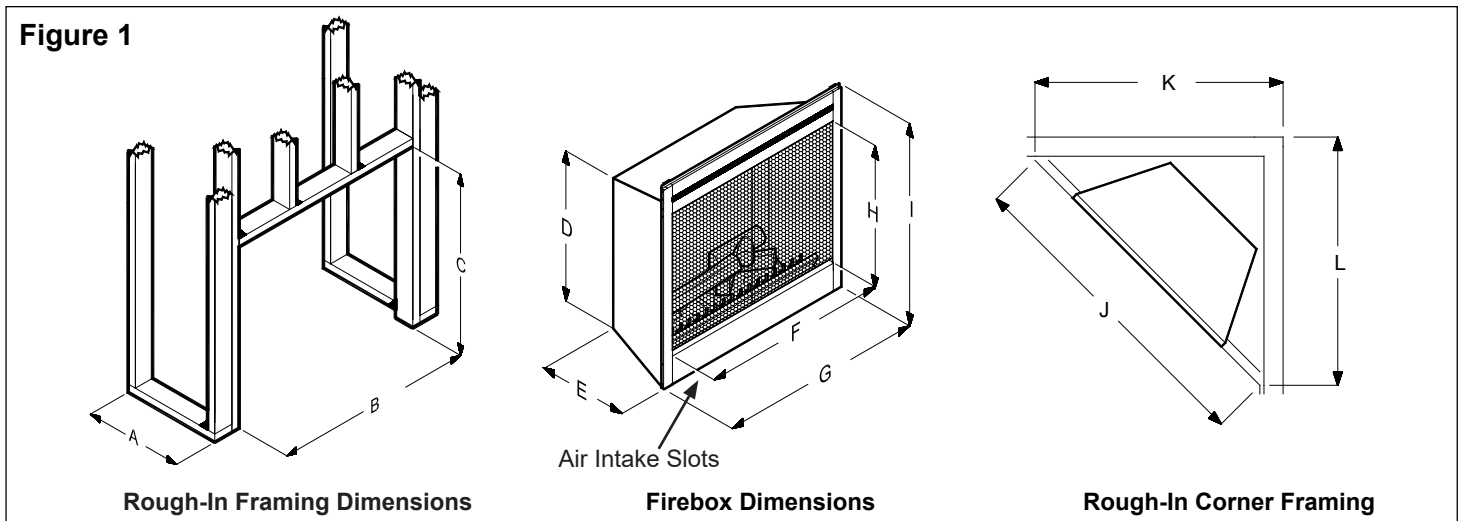
- A. Protect installed products until completion of project.
- B. Touch-up, repair or replace damaged products before Substantial Completion.

END OF SECTION

Section 10309 - Manufactured Electric Fireplaces

Framing Dimensions:

110/120V	A	B -0 / +0.1	C -0 / +0.1	D	E	F	G	H	I	J	K	L
BF45DXP	16.0" (40.5cm)	45.0" (114.3cm)	32.9" (83.6cm)	30.1" (76.5cm)	15.3" (38.9cm)	42.0" (106.7cm)	44.7" (113.5cm)	22.8" (57.9cm)	32.7" (83.1cm)	60.0" (152.4cm)	42.0" (106.7cm)	42.0" (106.7cm)
BF39STP/DXP	16.0" (40.5cm)	39" (99.1cm)	32.9" (83.6cm)	30.1" (76.5cm)	15.3" (38.9cm)	36.0" (91.4cm)	38.7" (98.3cm)	22.8" (57.9cm)	32.7" (83.1cm)	54.0" (137.2cm)	38.0" (96.5cm)	38.0" (96.5cm)
BF33STP/DXP	15.0" (38.1cm)	33.1" (84.1cm)	28.7" (72.9cm)	25.7" (65.3cm)	14.3" (36.3cm)	29.6" (75.2cm)	32.8" (83.3cm)	18.8" (47.8cm)	28.5" (72.4cm)	48.0" (121.9cm)	34.0" (86.4cm)	34.0" (86.4cm)



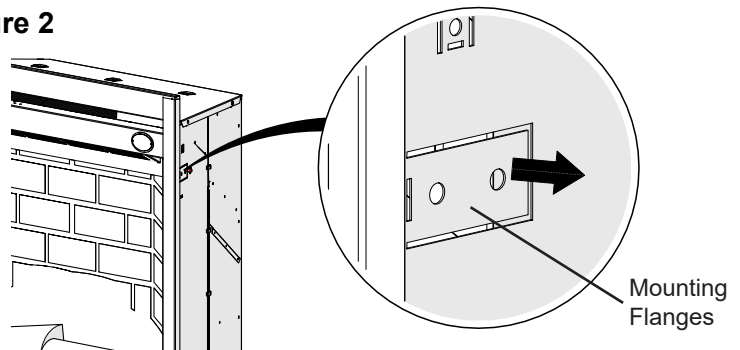
This fireplace is a zero clearance design, with the exception of the top of the unit, where any insulation and vapor barrier should be placed a minimum of 2" (5.1 cm) from the unit. No combustibles can be placed on the top surface of the fireplace.

⚠ CAUTION: Ensure installation does not allow fireplace to be in direct contact with building vapor barrier or insulation and meets all local building code.

Four mounting flanges on the sides of the unit are provided to facilitate installation. There are two mounting flanges located on each side of the fireplace insert.

From the inside of the unit, bend tabs outward and mount to the inside of the framing using suitable hardware.

Figure 2



Scan for more information
on dimensions, accessories,
technical details.

To view full series visit:
dimplex.com

1-800-668-6663