

Enclosed Motor Construction Heater

EMC Series

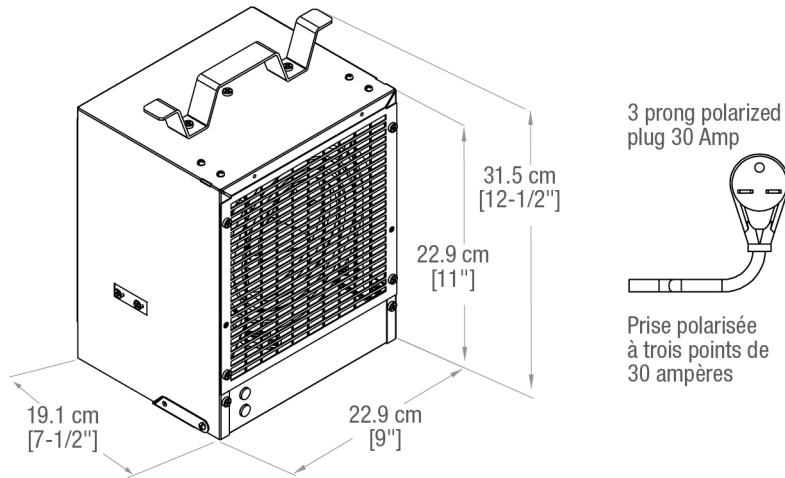


Features

- | | |
|-----------------------------|--|
| Color | - Grey |
| Material | - 22-gauge steel |
| Finish | - Powder coating resists fading and abrasion |
| Voltage | - 240V |
| Wattage | - 4800W |
| Heating Element | - Stainless steel tubular element |
| Control & Wiring | - Built-in, double-pole thermostat |
| | - 6-foot cord with NEMA standard 3-prong polarized plug |
| Warranty | - 1-year warranty on complete unit |
| Applications | - Portable heat for workshops, garages, construction sites |

Enclosed Motor Construction Heater

EMC Series



Part No.	Cat. No.	Description	Colour	Watts	Volts	Dimensions (W x H x D)	Qty
EMC4240G	EMC4240G	Portable Construction Heater	Grey	4800	240	9" x 12-1/2" x 7-1/2" 22.9cm x 31.5cm x 19.1cm	

Specifications may change without prior notice

Project Detail

Project:	Approval Information
Consultant Engineer:	
Electrician Contractor:	
Distributor:	
Date :	
Contact at Dimplex:	
Comments:	