

**Line Voltage Thermostats****TS/TD Series**

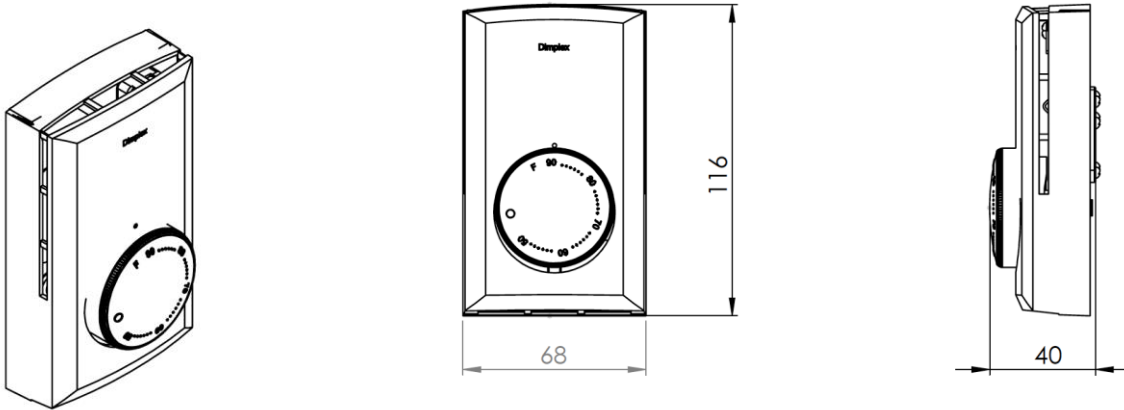
TS321W / TD322W

**Features**

- |                             |  |
|-----------------------------|--|
| <b>Color</b>                | - White  |
| <b>Material</b>             | - Molded Plastic   |
| <b>Voltage</b>              | - 240V   |
| <b>Wattage</b>              | - 5280W  |
| <b>Control &amp; Wiring</b> | - Temperature control adjusted in +/- 0.5 C (0.9 F) increments |
|                             | - Temperature operating range: 5°- 35°C, 41°- 95°F             |
|                             | - Control dials in both F and C                                |
| <b>Installation</b>         | - Wall-mount (no cuts to the wall or wires to run)             |
|                             | - For use with electric baseboards and fan-forced heaters      |
| <b>Warranty</b>             | - 5-year limited warranty                                      |

**Line Voltage Thermostats**

**TS/TD Series**



Cat. No.	Colour	Non-Inductive (W & V)	Inductive (HP & V)	Dimensions (W x H x D)	Qty
TS321W/TS521W	White	2640W-120V Max. 4576/528-208/240V Max. 4986W-277V Max.	1/3HP/240V	2.68" x 4.57" x 1.57" (68mm x 116mm x 40mm)	
TD322W/TD522W	White	2640W-120V Max. 4576/528-208/240V Max. 4986W-277V Max.	1/3HP/240V	2.68" x 4.57" x 1.57" (68mm x 116mm x 40mm)	

**Specifications may change without prior notice**

Project:	Approval Information
Consultant Engineer:	
Electrician Contractor:	
Distributor:	
Date:	
Contact at Dimplex:	
Comments:	