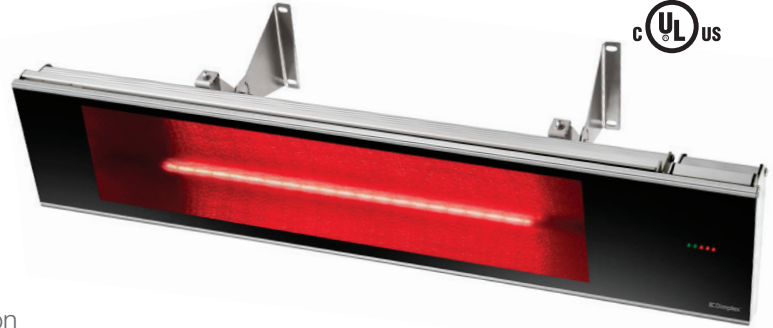


OUTDOOR/INDOOR INFRARED HEATER

The precision-engineered Schott Nextrema® ceramic infrared heater provides premium performance that heats as beautifully as it looks.

BENEFITS

- IP65 rating for indoor and outdoor applications
- Schott Nextrema® ceramic ensures even heat distribution and minimizes light emissions
- Corrosion resistant anodized aluminum and 304 stainless steel makes this product suitable for all climates
- 3 heat settings for maximum comfort
- 6 seconds maximum heat up time
- Programmable timer and remote control for ease of operation
- 120V and 240V hard-wired installation provides up to 2200 (2.2 kw) of powerful heating
- Each heater comes with the element pre-installed, which eases in installation and reduces the risk of damaged, broken or misplaced elements upon delivery



APPLICATIONS

Patios | Balconies | Outdoor Living Spaces

SPECIFICATIONS

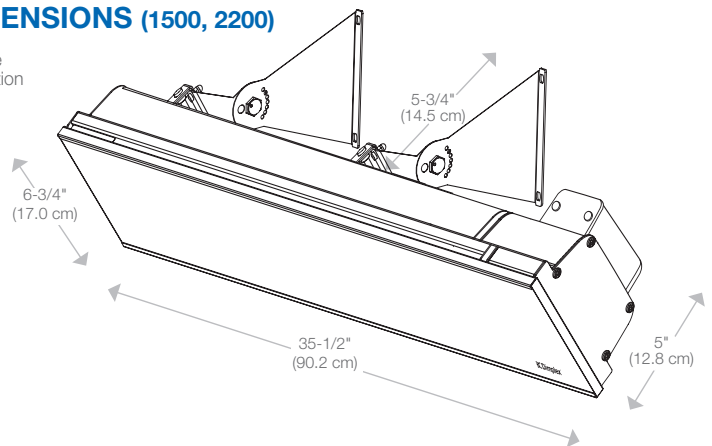
Voltage	120V and 240V
Wattage	1500, 2200W
Color	Stainless Steel
Finish	Schott Nextrema® ceramic glass
Heating Element	Ruby halogen heating element
Construction	Stainless Steel (304)
Controls & Wiring	Hardwire installation only. Unit has an auto shut off feature after 8 hours of operation.
Installation	Surface-mount brackets included for wall or ceiling installations.
Warranty	1-year replacement parts

ORDERING GUIDE

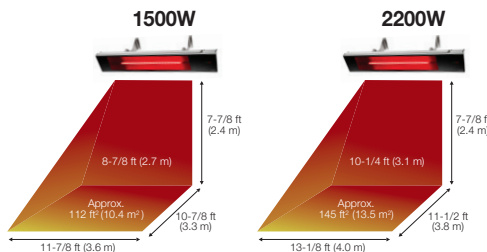
Cat. No.	Installation	Watts	Volts	Weight kg/lbs (Packaged)
DIR22A10GR	Wall-mounting only	2200	240	4.5 / 10.0 (6.0 / 13.3)
DIR15A10GR	Wall or Ceiling-mounted	1500	120	4.5 / 10.0 (6.0 / 13.3)

DIMENSIONS (1500, 2200)

Surface Installation



Indoor heating area wall-mounted



Outdoor heating area wall-mounted

