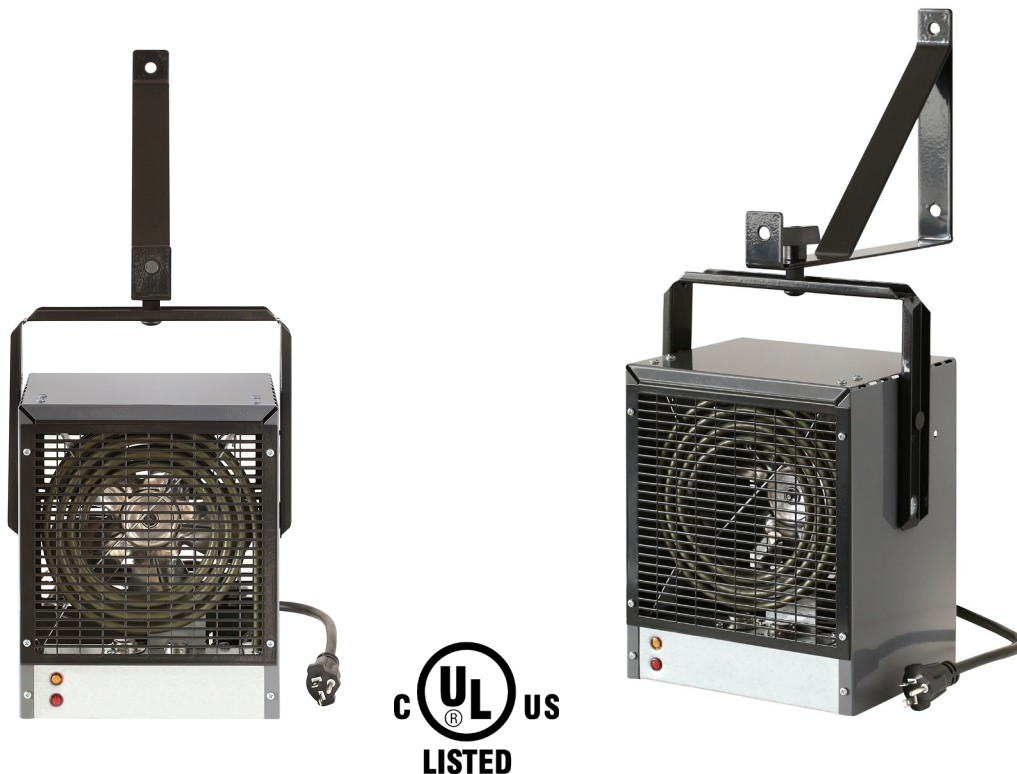


Garage/Workshop Electric Heater

DGWH Series

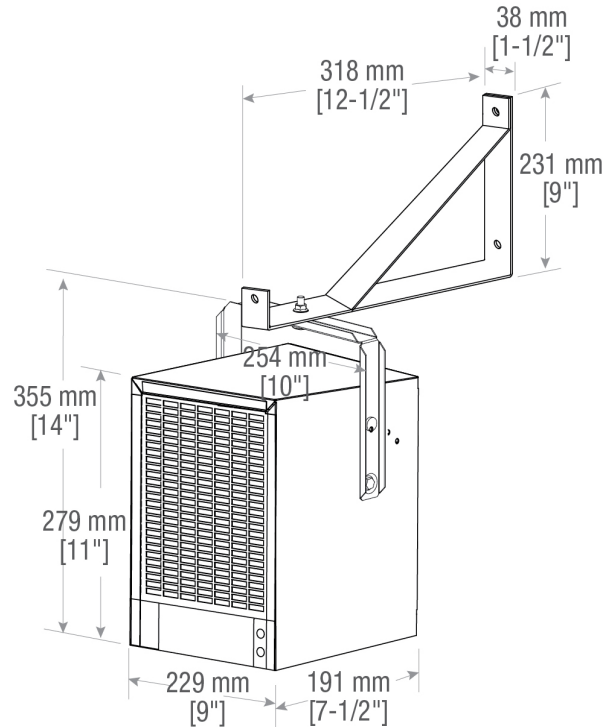


Features

- | | |
|-----------------------------|---|
| Color | - Grey |
| Material | - 22 gauge steel |
| Finish | - Powder coating resists fading and abrasion |
| Voltage | - 240V |
| Wattage | - 4000W |
| Heating Element | - Stainless steel tubular element |
| Control & Wiring | - Built-in, double-pole thermostat with temperature range of 5-43°C (41-109°F) |
| | - 6 foot cord with NEMA standard plug |
| Installation | - Versatile installation bracket provides the flexibility to mount on the ceiling or wall, plus swivel and pivot to direct heat |
| Warranty | - 1-year on complete unit |
| Applications | - Garage, workshop |

Garage/Workshop Electric Heater

DGWH Series



Part No.	Cat. No.	Description	Colour	Watts	Volts	Dimensions (W x H x D)	Qty
DGWH4031G	DGWH4031G	Garage/Workshop Electric Heater with mounting bracket and built-in thermostat	Grey	4000	240	9" x 11" x 7-1/2" 22.9cm x 27.9cm x 19.1cm	

Specifications may change without prior notice

Project Detail

Project:	Approval Information
Consultant Engineer:	
Electrician Contractor:	
Distributor:	
Date :	
Contact at Dimplex:	
Comments:	