

### Portable Construction Heater

DCH Series

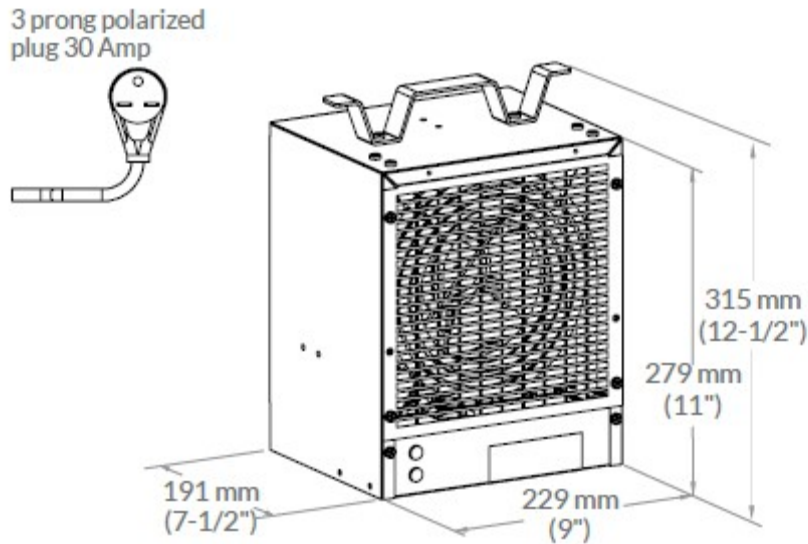


#### Features

- |                             |  |
|-----------------------------|--|
| <b>Color</b>                | - Grey   |
| <b>Construction</b>         | - Heavy duty construction  |
| <b>Finish</b>               | - Powder coating resists fading and abrasion   |
| <b>Voltage</b>              | - 240V   |
| <b>Wattage</b>              | - 4800W  |
| <b>Heating Element</b>      | - Stainless steel tubular element  |
| <b>Control &amp; Wiring</b> | - Built-in, double-pole thermostat<br>- Includes 6-foot cord with NEMA standard plug |
| <b>Warranty</b>             | - 1-year warranty on complete unit   |
| <b>Applications</b>         | - Workshops, garages, construction sites   |

### Portable Construction Heater

#### DCH Series



Part No.	Cat. No.	Description	Colour	Watts	Volts (Hz)	Dimensions (W x H x D)	Qty
DCH4831LG	DCH4831LG	Portable Construction Heater	Grey	4800	240	9" x 12-1/2" x 7-1/2" 22.9cm x 31.5cm x 19.1cm	

Specifications may change without prior notice

#### Project Details

Project:	Approval Information
Consultant Engineer:	
Electrician Contractor:	
Distributor:	
Date :	
Contact at Dimplex:	
Comments:	