

### Compact Unit Heater

#### CUH Series

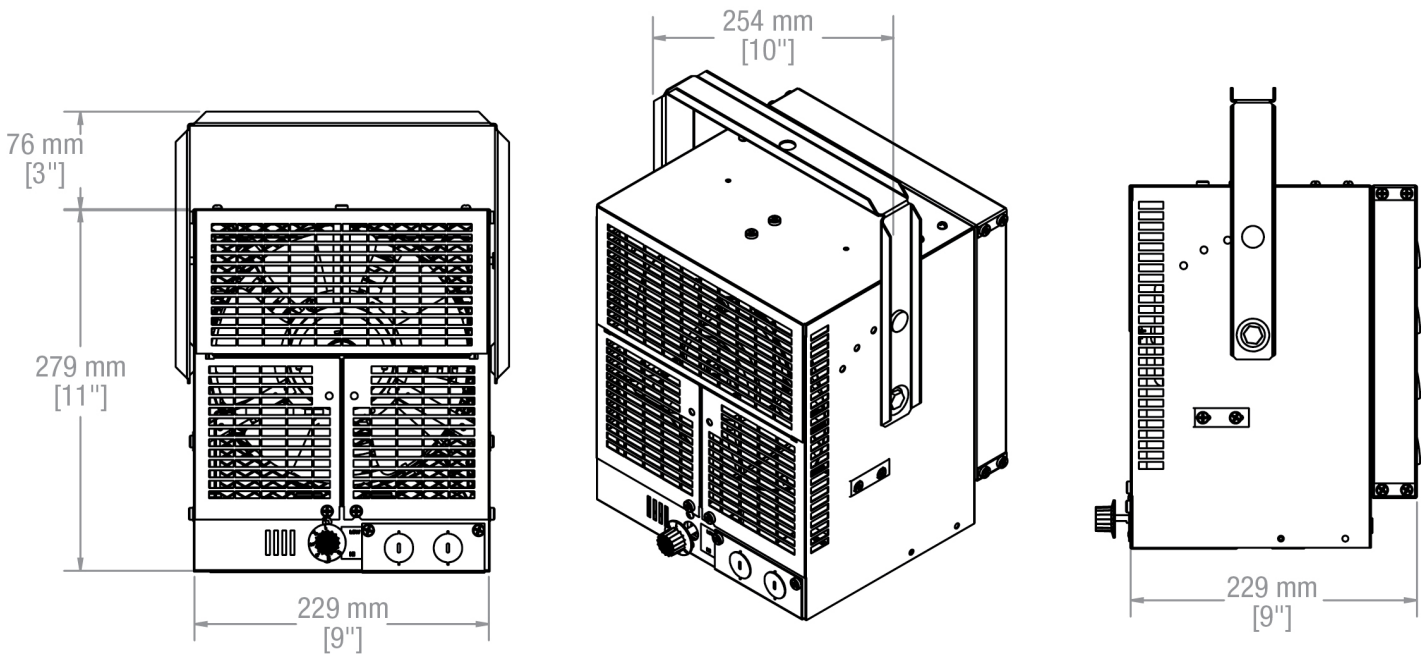


#### Features

- |                             |   |
|-----------------------------|---|
| <b>Color</b>                | - Grey  |
| <b>Material</b>             | - Cabinet is constructed of 18 gauge die formed steel with adjustable 20 gauge convex louvers fastened to a single piece 20 gauge frame |
| <b>Finish</b>               | - Powder coating resists fading and abrasion  |
| <b>Voltage</b>              | - 240/208   |
| <b>Wattage</b>              | - 5000/3750   |
| <b>Heating Element</b>      | - Metal tubular sheath fused with spiral steel fins containing a nickel-chromium wire, encased in magnesium oxide insulation            |
| <b>Control &amp; Wiring</b> | - Built-in hard-wired, single pole thermostat for accurate temperature control  |
| <b>Installation</b>         | - Ceiling and wall-mount swivel bracket included  |
| <b>Warranty</b>             | - 1-year  |
| <b>Applications</b>         | - Garages, workshops, shipping/receiving areas, warehouses, storage areas, foyers/entry, stairwells                                     |

### Compact Unit Heater

#### CUH Series



Part No.	Cat. No.	Description	Colour	Watts	Volts (Hz)	Dimensions (W x H x D)	Qty
CUH05B31TG	CUH05B31TG	Compact Unit	Grey	5000/3750	240/208	9" x 11" x 9" 22.9cm x 27.9cm x 22.9cm	

Specifications may change without prior notice

#### Project Details

Project:	Approval Information
Consultant Engineer:	
Electrician Contractor:	
Distributor:	
Date :	
Contact at Dimplex:	
Comments:	