



Order No. 500002398
Model No. RBF36P-FG

Notes:

Section 10309 - Manufactured Electric Fireplaces

PART 1 GENERAL

1.1 SECTION INCLUDES

- A. Manufactured electric fireplaces.
- B. Accessories

1.2 RELATED SECTIONS

- A. Section 06100 - Rough Carpentry: Wood framed rough opening and enclosure.

1.3 REFERENCES

- A. UL - 2021
- B. CSA - C22.2 No. 46-13

1.4 SUBMITTALS

- A. Submit under provisions of Section 01300.
- B. Product Data: Manufacturer's data sheets on each product to be used, including:
 - 1. Preparation instructions and recommendations.
 - 2. Storage and handling requirements and recommendations.
 - 3. Installation methods.
- C. Manufacturer's Certificates: Certify products meet or exceed specified requirements.
- D. Manufacturer's warranty.

1.5 DELIVERY, STORAGE, AND HANDLING

- A. Store products in manufacturer's unopened packaging until ready for installation.
- B. Protect materials from exposure to moisture. Do not deliver until after wet work is complete and dry.

1.6 WARRANTY

- A. Provide the manufacturer's 2-year limited warranty on electrical components.

PART 2 PRODUCTS

2.1 ACCEPTABLE MANUFACTURERS

- A. Pre-fabricated Electric Fireplace:
 - 1. Base: Dimplex Electric Fireplace
Glen Dimplex Americas
1367 Industrial Road
Cambridge ON N3H 4W3
1-888-346-7539
www.dimplex.com
 - 2. Substitutions not permitted
 - 3. Requests for substitutions will be considered in accordance with provisions of Section 01600.



Order No. 500002398
Model No. RBF36P-FG

Notes:

Section 10309 - Manufactured Electric Fireplaces

2.2 ELECTRIC FIREPLACES

A. General:

1. Provide all components and accessories required for a complete, functional unit.
2. UL or CSA listed.

B. Pre-fabricated Electric Fireplace:

1. Base Product:

- a) Dimplex Built-in Electric Firebox
- b) Material Number: 500002398 (Model: RBF36P-FG)

2. Description: Revillusion 36" Portrait Built-in/Fireplace Insert Electric Firebox, Herringbone with Glass and Plug Kit

3. Dimensions:

- a) Width: 37-1/8" / 94.4 cm
- b) Height: 31" / 78.8 cm
- c) Depth: 12-1/8" / 30.7 cm

4. Framing Dimensions:

- a) Width: 36-5/8" / 93.0 cm
- b) Height: 30-5/8" / 77.8 cm
- c) Depth: 12-1/2" / 31.8 cm

5. Electrical:

- a) Volts: 120 / 208 / 240
- b) Watts: 1,300 / 1,975 / 2,575
- c) Flame Only Watts: 40
- d) BTUs: 4,436 / 6,739 / 8,786

6. Venting: Non-venting

7. Operation: Flame only, flame and heat

8. Heating: Louver-less, fan-forced circulation

9. Liner: Steel

10. Standard features:

- a) Self-trimming design with flange to finish rough openings
- b) Patented flame technology create brighter and more random flames
- c) Partially frosted acrylic panel highlights flame without any reflections
- d) Full brick surround, 270° herringbone brick
- e) Customizable firebox hues, mood lighting to adjust firebox light level
- f) Powerful heating capabilities – use as part of primary heat plan
- g) Direct-wire capabilities – 120V, 240/208V



Order No. 500002398
Model No. RBF36P-FG

Notes:

Section 10309 - Manufactured Electric Fireplaces

- h) Built-in touch controls
 - i) 36" Tempered Front Glass – 500000742
 - j) Plug Kit - X-RBFPLUG
11. Control options:
- a) Multi-function remote control
 - b) Built-in touch controls

PART 3 EXECUTION

3.1 INSPECTION

- A. Do not begin installation until substrates have been properly prepared.
- B. If substrate preparation is the responsibility of another installer, notify Architect of unsatisfactory preparation before proceeding.
- C. Verify proper power supply and fuel source are available.

3.2 PREPARATION

- A. Clean surfaces thoroughly prior to installation.
- B. Prepare surfaces using the methods recommended by the manufacturer for achieving the best result for the substrate under the project conditions.

3.3 INSTALLATION

- A. Install in accordance with manufacturer's instructions and requirements of authorities having jurisdiction.
- B. Use manufacturer's guidelines for minimum clearances to combustibles, walls, and finishes.
- C. Anchor all components firmly in position for long life under hard use.
- D. Upon completion of installation, visually inspect all exposed surfaces. Touch up scratches and abrasions with touch up paint recommended by the manufacturer; make imperfections invisible to the unaided eye from a distance of 5 feet (1.5 m).

3.4 PROTECTION

- A. Protect installed products until completion of project.
- B. Touch-up, repair or replace damaged products before Substantial Completion.

END OF SECTION

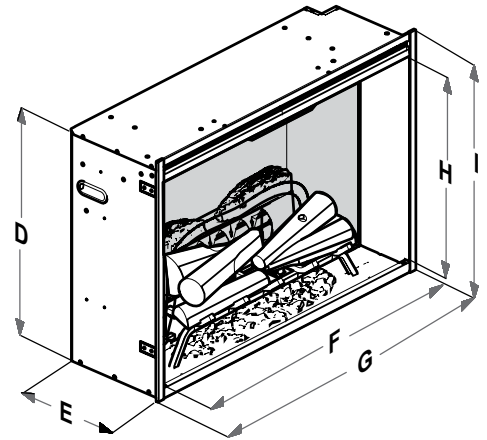
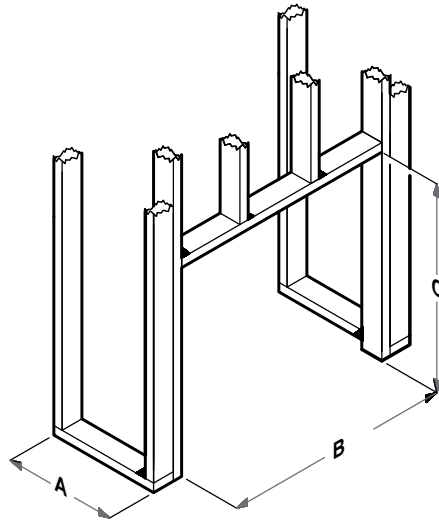


Order No.	500002398
Model No.	RBF36P-FG
Notes:	

Section 10309 - Manufactured Electric Fireplaces

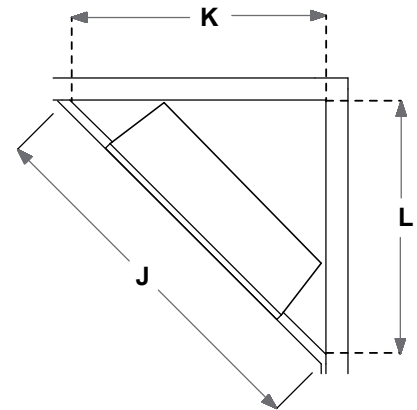
Framing Dimensions:

	RBF36P-FC
A	12-1/2" (31.8 cm)
B	36-5/8" (93.0 cm)
C	30-5/8" (77.8 cm)
D	30-1/4" (76.8 cm)
E	12-1/8" (30.7 cm)
F	35-3/8" (89.8 cm)
G	37-1/8" (94.4 cm)
H	27-1/4" (69.1 cm)
I	31" (78.8 cm)
J	60" (152.4 cm)
K	42-1/2" (108.0 cm)
L	42-1/2" (108.0 cm)



1. The Revillusion™ Electric Fireplace/ Fireplace Insert does not require any special venting.
2. To build the rough-in opening, follow the framing dimensions below.

NOTE: The materials used for the finished surround must be cut to precise dimensions (dimensions B & C) as the 1/4" (0.6 cm) self trimming flange is only to create a finished appearance.



Scan for more information on dimensions, accessories, technical details.

To view full series visit:
dimplex.com

1-800-668-6663