



Order No. 500001757
Model No. XHD33G

Notes:

Section 10309 - Manufactured Electric Fireplaces

PART 1 GENERAL

1.1 SECTION INCLUDES

- A. Manufactured electric fireplaces.
- B. Accessories

1.2 RELATED SECTIONS

- A. Section 06100 - Rough Carpentry: Wood framed rough opening and enclosure.

1.3 REFERENCES

- A. UL - 2021
- B. CSA - C22.2 No. 46-13

1.4 SUBMITTALS

- A. Submit under provisions of Section 01300.
- B. Product Data: Manufacturer's data sheets on each product to be used, including:
 - 1. Preparation instructions and recommendations.
 - 2. Storage and handling requirements and recommendations.
 - 3. Installation methods.
- C. Manufacturer's Certificates: Certify products meet or exceed specified requirements.
- D. Manufacturer's warranty.

1.5 DELIVERY, STORAGE, AND HANDLING

- A. Store products in manufacturer's unopened packaging until ready for installation.
- B. Protect materials from exposure to moisture. Do not deliver until after wet work is complete and dry.

1.6 WARRANTY

- A. Provide the manufacturer's 2-year limited warranty on electrical components.

PART 2 PRODUCTS

2.1 ACCEPTABLE MANUFACTURERS

- A. Pre-fabricated Electric Fireplace:
 - 1. Base: Dimplex Electric Fireplace
Glen Dimplex Americas
1367 Industrial Road
Cambridge ON N3H 4W3
1-888-346-7539
www.dimplex.com
 - 2. Substitutions not permitted
 - 3. Requests for substitutions will be considered in accordance with provisions of Section 01600.



Order No. 50001757
Model No. XHD33G

Notes:

Section 10309 - Manufactured Electric Fireplaces

2.2 ELECTRIC FIREPLACES

A. General:

1. Provide all components and accessories required for a complete, functional unit.
2. cULus listed, file E71416.

B. Pre-fabricated Electric Fireplace:

1. Base Product:

- a) Dimplex Electric Firebox
- b) Material Number: 50001757
- c) Regulatory Model Number: 6910090459
- d) Model Number: XHD33G

2. Description: Dimplex 33" Plug-in Fireplace Firebox

3. Dimensions:

- a) Width: 33-1/8" / 84.1 cm
- b) Height: 23-1/4" / 59.0 cm
- c) Depth: 7-1/2" / 19.1 cm

4. Framing Dimensions:

- a) Width: 31-5/8" / 80.2 cm
- b) Height: 22-5/8" / 57.5 cm
- c) Depth: 8" / 20.3 cm

5. Electrical:

- a) Volts: 120
- b) Watts: 1,465
- c) BTUs: 5,000
- d) Amps: 12.5

6. Venting: Non-venting

7. Operation: Flame only, flame and heat

8. Heating: Louver-less, fan-forced circulation

9. Liner: Gloss polypropylene backer

10. Standard features:

- a) Dimplex Flame Effect
- b) Adjustable flame speed
- c) Plug-in 120V
- d) Customizable firebox hues, mood lighting to adjust firebox light level
- e) Built-in Timer
- f) On-demand fan-forced heater
- g) Acrylic Ice media bed



Order No.	500001757
Model No.	XHD33G

Notes:

Section 10309 - Manufactured Electric Fireplaces

11. Control options:
 - a) Multi-function remote control
 - b) Built-in hidden controls (Standby, heat on/off, thermostat, brightness, flame theme)
12. Optional Accessories:
 - a) Driftwood and River Rock Media Kit – XHDDW-KIT33

PART 3 EXECUTION

3.1 INSPECTION

- A. Do not begin installation until substrates have been properly prepared.
- B. If substrate preparation is the responsibility of another installer, notify Architect of unsatisfactory preparation before proceeding.
- C. Verify proper power supply and fuel source are available.

3.2 PREPARATION

- A. Clean surfaces thoroughly prior to installation.
- B. Prepare surfaces using the methods recommended by the manufacturer for achieving the best result for the substrate under the project conditions.

3.3 INSTALLATION

- A. Install in accordance with manufacturer's instructions and requirements of authorities having jurisdiction.
- B. Use manufacturer's guidelines for minimum clearances to combustibles, walls, and finishes.
- C. Anchor all components firmly in position for long life under hard use.
- D. Upon completion of installation, visually inspect all exposed surfaces. Touch up scratches and abrasions with touch up paint recommended by the manufacturer; make imperfections invisible to the unaided eye from a distance of 5 feet (1.5 m).

3.4 PROTECTION

- A. Protect installed products until completion of project.
- B. Touch-up, repair or replace damaged products before Substantial Completion.

END OF SECTION

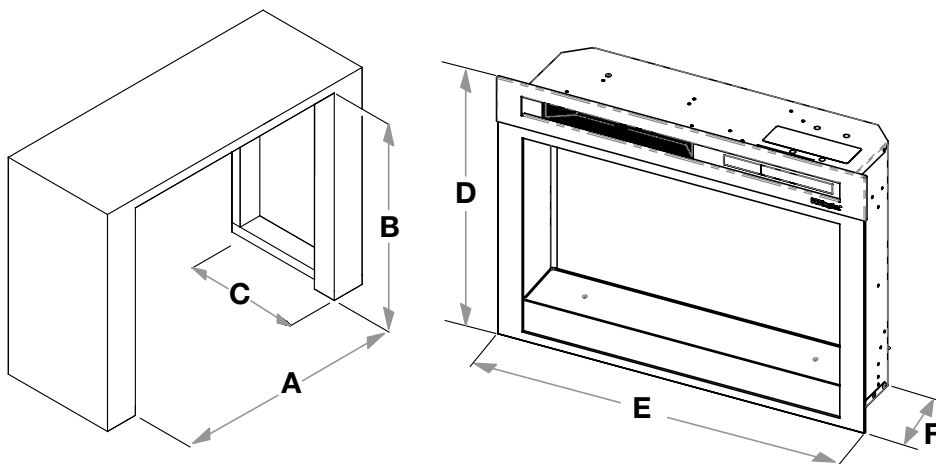


Order No.	500001757
Model No.	XHD33G
Notes:	

Section 10309 - Manufactured Electric Fireplaces

Framing Dimensions:

	XHD33G
A	31-5/8" (80.2 cm)
B	22-5/8" (57.5 cm)
C	8" (20.3 cm)
D	33-1/8" (84.1 cm)
E	23-1/4" (59.0 cm)
F	7-1/2" (19.1 cm)



1. The Dimplex Electric Fireplace does not require any special venting. Make sure there is clearance for air circulation beneath the unit and at least 1/2" behind it.
2. To build the rough-in opening, follow the framing dimensions above.



Scan for more information on dimensions, accessories, technical details.

To view full series visit: **dimplex.com**

1-800-668-6663