



Order No. 500002388  
Model No. RBF30-FG

Notes:

## Section 10309 - Manufactured Electric Fireplaces

### PART 1 GENERAL

#### 1.1 SECTION INCLUDES

- A. Manufactured electric fireplaces.
- B. Accessories

#### 1.2 RELATED SECTIONS

- A. Section 06100 - Rough Carpentry: Wood framed rough opening and enclosure.

#### 1.3 REFERENCES

- A. UL - 2021
- B. CSA - C22.2 No. 46-13

#### 1.4 SUBMITTALS

- A. Submit under provisions of Section 01300.
- B. Product Data: Manufacturer's data sheets on each product to be used, including:
  - 1. Preparation instructions and recommendations.
  - 2. Storage and handling requirements and recommendations.
  - 3. Installation methods.
- C. Manufacturer's Certificates: Certify products meet or exceed specified requirements.
- D. Manufacturer's warranty.

#### 1.5 DELIVERY, STORAGE, AND HANDLING

- A. Store products in manufacturer's unopened packaging until ready for installation.
- B. Protect materials from exposure to moisture. Do not deliver until after wet work is complete and dry.

#### 1.6 WARRANTY

- A. Provide the manufacturer's 2-year limited warranty on electrical components.

### PART 2 PRODUCTS

#### 2.1 ACCEPTABLE MANUFACTURERS

- A. Pre-fabricated Electric Fireplace:
  - 1. Base: Dimplex Electric Fireplace  
Glen Dimplex Americas  
1367 Industrial Road  
Cambridge ON N3H 4W3  
1-888-346-7539  
www.dimplex.com
  - 2. Substitutions not permitted
  - 3. Requests for substitutions will be considered in accordance with provisions of Section 01600.



Order No. 500002388  
Model No. RBF30-FG

Notes:

## Section 10309 - Manufactured Electric Fireplaces

### 2.2 ELECTRIC FIREPLACES

#### A. General:

1. Provide all components and accessories required for a complete, functional unit.
2. UL or CSA listed.

#### B. Pre-fabricated Electric Fireplace:

##### 1. Base Product:

- a) Dimplex Built-in Electric Firebox
- b) Material Number: 500002388 (Model: RBF30-FG)

##### 2. Description: Revillusion 30" Built-in/Fireplace Insert Electric Firebox, Herringbone with Glass and Plug Kit

##### 3. Dimensions:

- a) Width: 31-1/8" / 79.2 cm
- b) Height: 26-5/8" / 67.6 cm
- c) Depth: 12-1/8" / 30.7 cm

##### 4. Framing Dimensions:

- a) Width: 30-5/8" / 77.8 cm
- b) Height: 26-1/4" / 66.5 cm
- c) Depth: 12-1/2" / 31.8 cm

##### 5. Electrical:

- a) Volts: 120 / 208 / 240
- b) Watts: 1,300 / 1,975 / 2,575
- c) Flame Only Watts: 40
- d) BTUs: 4,436 / 6,739 / 8,786

##### 6. Venting: Non-venting

##### 7. Operation: Flame only, flame and heat

##### 8. Heating: Louver-less, fan-forced circulation

##### 9. Liner: Steel

##### 10. Standard features:

- a) Self-trimming design with flange to finish rough openings
- b) Patented flame technology create brighter and more random flames
- c) Partially frosted acrylic panel highlights flame without any reflections
- d) Full brick surround, 270° herringbone brick
- e) Customizable firebox hues, mood lighting to adjust firebox light level
- f) Powerful heating capabilities – use as part of primary heat plan
- g) Direct-wire capabilities – 120V, 240/208V



Order No. 500002388  
Model No. RBF30-FG

Notes:

## Section 10309 - Manufactured Electric Fireplaces

- h) Built-in touch controls
  - i) 30" Tempered Front Glass – 500000423
  - j) Plug Kit - X-RBFPLUG
11. Control options:
- a) Multi-function remote control
  - b) Built-in touch controls
12. Optional Accessories:
- a) Installation Trim Kit - X-RBF30TRIM38 and X-RBF30TRIM44

### PART 3 EXECUTION

#### 3.1 INSPECTION

- A. Do not begin installation until substrates have been properly prepared.
- B. If substrate preparation is the responsibility of another installer, notify Architect of unsatisfactory preparation before proceeding.
- C. Verify proper power supply and fuel source are available.

#### 3.2 PREPARATION

- A. Clean surfaces thoroughly prior to installation.
- B. Prepare surfaces using the methods recommended by the manufacturer for achieving the best result for the substrate under the project conditions.

#### 3.3 INSTALLATION

- A. Install in accordance with manufacturer's instructions and requirements of authorities having jurisdiction.
- B. Use manufacturer's guidelines for minimum clearances to combustibles, walls, and finishes.
- C. Anchor all components firmly in position for long life under hard use.
- D. Upon completion of installation, visually inspect all exposed surfaces. Touch up scratches and abrasions with touch up paint recommended by the manufacturer; make imperfections invisible to the unaided eye from a distance of 5 feet (1.5 m).

#### 3.4 PROTECTION

- A. Protect installed products until completion of project.
- B. Touch-up, repair or replace damaged products before Substantial Completion.

**END OF SECTION**



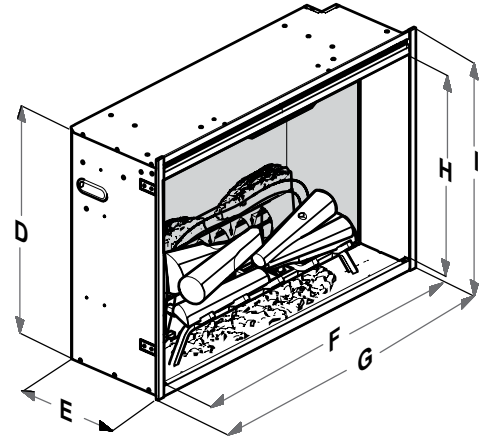
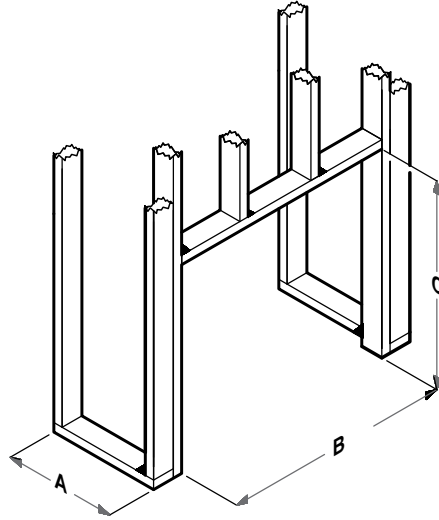
Order No. 500002388  
 Model No. RBF30-FG

Notes:

## Section 10309 - Manufactured Electric Fireplaces

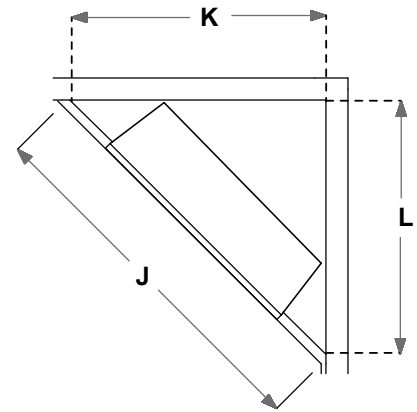
### Framing Dimensions:

	RBF30-FC
A	12-1/2" (31.8 cm)
B	30-5/8" (77.8 cm)
C	26-1/4" (66.5 cm)
D	25-3/4" (65.4 cm)
E	12-1/8" (30.7 cm)
F	29-3/8" (74.6 cm)
G	31-1/8" (79.2 cm)
H	22-3/4" (57.8 cm)
I	26-5/8" (67.6 cm)
J	54-1/4" (137.8 cm)
K	38-1/2" (97.8 cm)
L	38-1/2" (97.8 cm)



1. The Revillusion™ Electric Fireplace/ Fireplace Insert does not require any special venting.
2. To build the rough-in opening, follow the framing dimensions below.

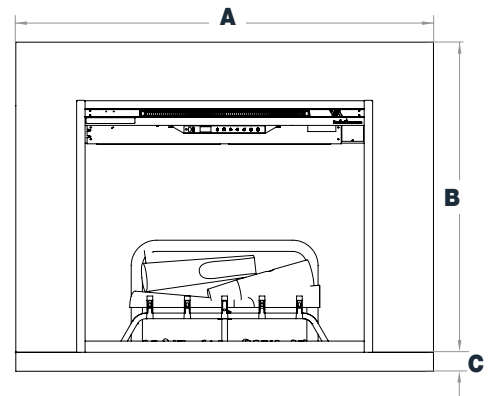
**NOTE:** The materials used for the finished surround must be cut to precise dimensions (dimensions B & C) as the 1/4" (0.6 cm) self trimming flange is only to create a finished appearance.



### Accessory Dimensions:

#### FINISHED TRIM DIMENSIONS

Trim Kit	A	B	C
RBF24TRIM36 - 36" Black Installation Trim	36" (91.4 cm)	30" (76.2 cm)	2" (5.08 cm)
RBF24TRIM40 - 40" Black Installation Trim	40" (101.6 cm)	30" (76.2 cm)	
RBF30TRIM38 - 38" Black Installation Trim	38" (96.5 cm)	29-5/8" (75.4 cm)	
RBF30TRIM44 - 44" Black Installation Trim	44" (111.8 cm)	32-5/8" (83.0 cm)	



Scan for more information  
 on dimensions, accessories,  
 technical details.

To view full series visit:  
[dimplex.com](http://dimplex.com)

1-800-668-6663