



IgniteXL® Bold

50" Linear Electric Fireplace

XLF5017-XD

Design with freedom.
Design to impress.

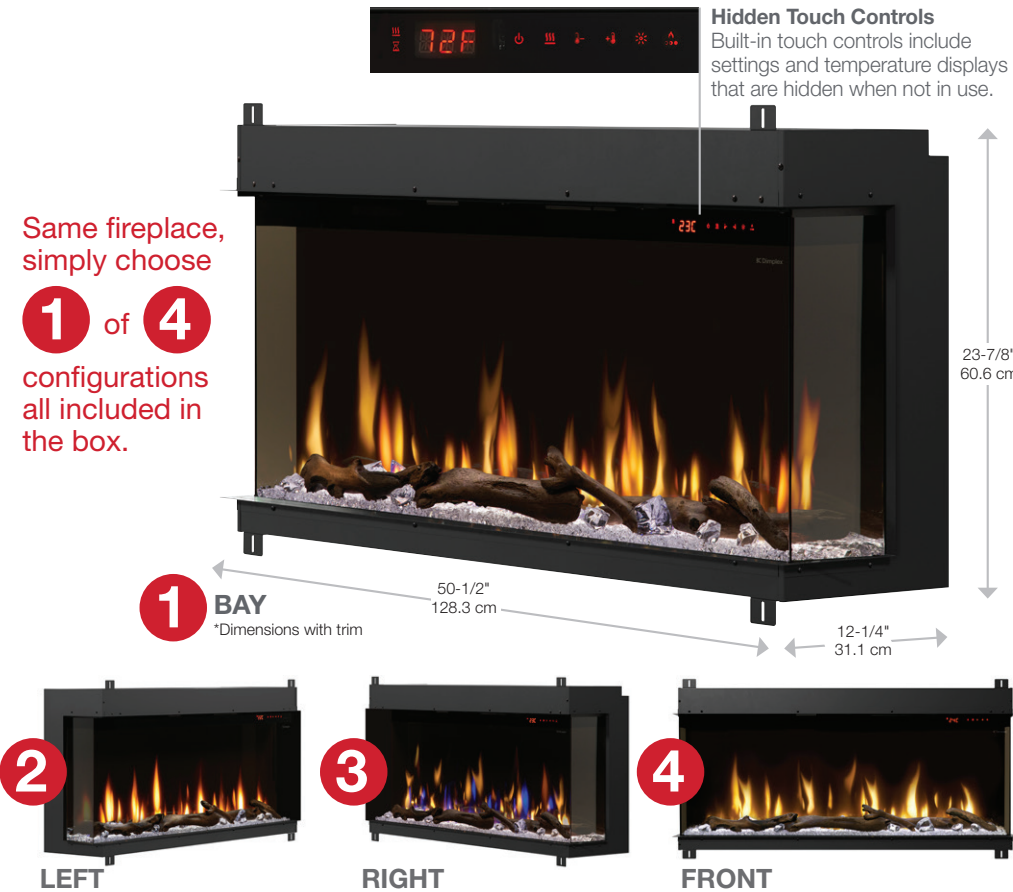


Design to impress with the IgniteXL® Bold Linear Electric Fireplace. This modern, built-in fireplace creates the illusion of incredible depth, while advanced controls maximize enjoyment and allow you to add your own personalized touch. With industry leading flexible installation options in one design; or make a bold statement and connect multiple units together for a grand, modern masterpiece.

IGNITE XL BOLD

IgniteXL® Bold 50" Linear Electric Fireplace

XLF5017-XD



Mood Themes



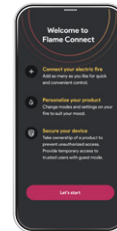
Flame Themes



Mood-maker Remote



Flame Connect App



Customize the flame/media color and intensity for a fireplace that reflects your personality.

120 Volts | 1,500 Watts | 5,000 BTU | 12.5 Amps
240 Volts | 2,500 Watts | 8,530 BTU | 10.4 Amps

Model #	Description	Lbs/Kg (packaged)	UPC	Wty.	Carton Dimensions (WxHxD)		Cube	
					inches	cm	Ft³	M³
XLF5017-XD	50" Linear Electric Fireplace	107.1 / 48.6 (121.9 / 55.3)	781052137226	5 yr.	55-3/8 x 28-5/8 x 16-3/4	140.7 x 72.7 x 42.5	15.4	0.44
XLFXDPLUG	Plug Kit	0.7 / 0.3 (0.8 / 0.35)	781052139527		12 x 8 x 2	30.5 x 20.3 x 5.1	0.111	0.0031
XLFXDLINK	Linking Kit for Modular Installation	0.1 / 0.05 (0.2 / 0.1)	781052139503		4 x 4 x 1/2	10.2 x 10.2 x 1.3	0.005	0.0001

Specifications, finishes and dimensions are subject to change. *Limited warranty. ©2023 Glen Dimplex Americas.

FEATURES

- Multi-Fire® XD Flame Effect**
Vivid flames that are brighter and more lifelike day or night, featuring a new multi-layered color effect that creates a sense of depth. Color settings can be controlled independently or combined in one of seven presets.
- Media Accent Color/Top Light**
Customize the fireplace interior by adjusting the media bed and top light - select from a range of preset colors or scroll through Prism mode and freeze on your favorite look.
- Modern Media Bed**
A stylish multi-media bed includes small and large acrylic crystals with natural-looking driftwood.
- Bigger, Better Viewing**
Elevate your experience with an impressive 16" (40.6 cm) high viewing area.
- ComfortSaver® Heating System**
Concealed heater with safe ceramic heat, plus 11% energy savings, warms up to 1,000 sq. ft. Can be used as a primary or secondary heater depending on room requirements.
- Eco/Heat Boost**
Eco reduces the wattage range to maintain a comfortable heat setting, while boost quickly warms a room using maximum heat output for up to 20 minutes.
- Air Circulation Mode**
A smart feature that moves room air to keep it fresher.
- Ambient Light Sensor**
Automatically adjusts brightness to suit the room day to night.
- Built-in Timer**
Set timer to automatically shut off the fireplace after a preset time, up to 8 hrs.
- Heat Management**
Enjoy the ambiance of a fire during the warmer months by deactivating the heater via the controls; or hard disconnect the heater during installation where heat is not required.
- Smart Self-Diagnostics**
Integrated self-diagnostics that simplify troubleshooting and improve service.
- Hardwire or Plug-in**
Designed to be direct-wired to a 120 or 240 volt circuit for a seamless look (120V has optional plug kit available).

Modular Installation

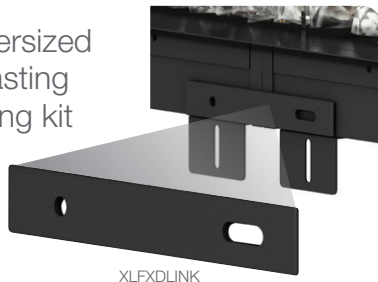
XL Bold Series



LEFT

Shown with three - 60" units (XLF6017-XD) linked together and the left side panel removed for a corner and front viewing area.

To get a dramatically oversized fireplace that makes a lasting impression, use the linking kit and combine multiple units in a series to achieve your desired length.



BAY

Shown with three - 60" units



FRONT

Shown with three - 60" units



RIGHT

Shown with three - 60" units


IgniteXL Bold versus Modular Gas


- Showcase your bold statement of a fireplace with or without the heat – you'll have more heat than you need
- Electric fireplaces convert 100% of input energy to heat, reducing the environmental impact and increasing energy efficiency
- No combustion, no carbon monoxide, front glass that is cool to the touch, and you can even deactivate the heater
- No venting or piping required and the unit can be placed anywhere a standard electrical outlet or connection exists

Welcome to Flame Connect

Control your electric fireplaces, from the palm of your hand.

+ **Connect your electric fireplaces**
Add as many fireplaces as you like to the Flame Connect App.

 **Personalize your product**
Change modes and settings on your fireplace to suit your mood.

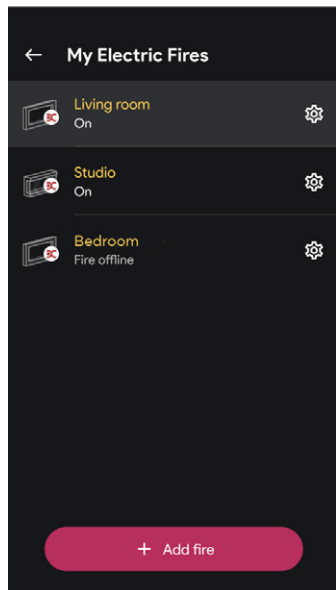
 **Secure your device**
Take ownership of a product to prevent unauthorized access.



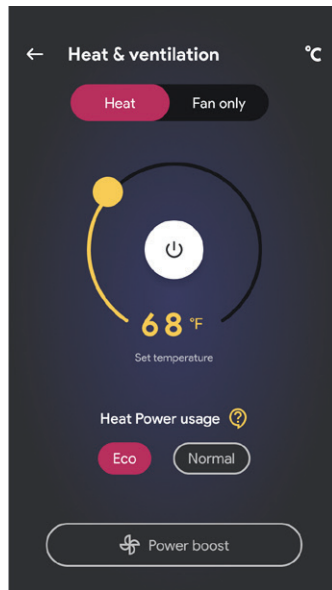
NEW! Flame Connect app

Download the Flame Connect app on your mobile device and create an account. With the app you can add an extra level of personalization, such as saving customized mood settings.

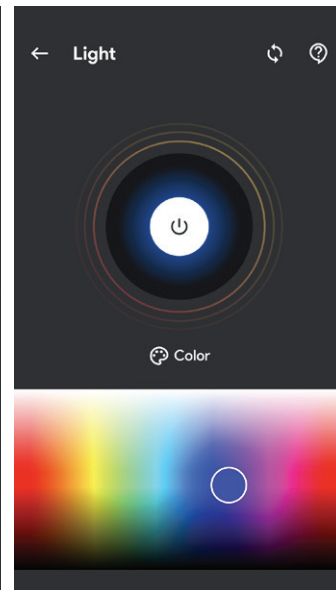
- Sleep timer automatically shuts the fireplace off after a set amount of time
- User manual with help and FAQ feature
- Updates, alerts, and user notifications



- Control your fireplaces from one convenient spot



- Temperature can be adjusted to show values in °F and °C



- Use the color picker to personalize with unlimited custom colors

- With the app you can adjust the flame brightness and speed beyond the remote technology
- Create and save favorite customized moods
- Guest mode

Note: App features may vary depending on product.

For additional information, visit dimplex.com/fcapp

Available in the App Store and Google Play

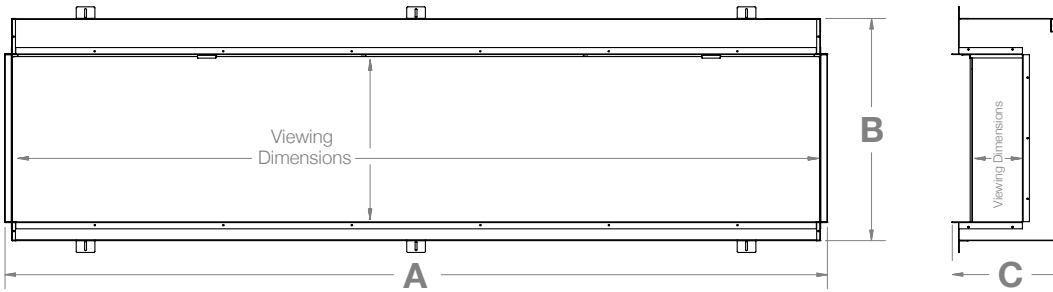


IgniteXL® Bold

50" Linear Electric Fireplace

XLF5017-XD

Product Dimensions:



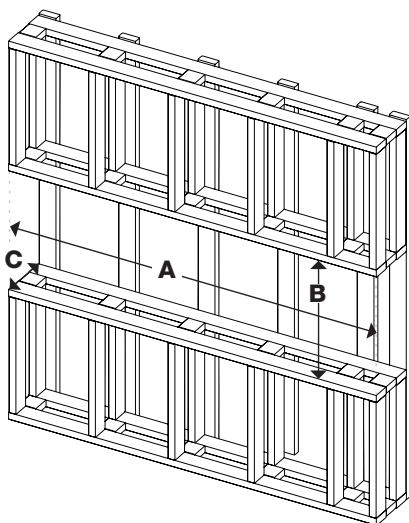
Product XLF5017-XD	A WIDTH (in/cm)	B HEIGHT (in/cm)	C DEPTH (in/cm)	VIEWING DIMENSION - WxHxD (in/cm)
Bay Install	50-1/2 (128.3)	23-7/8 (60.6)	12-1/4 (31.1)	48-7/8 x 18 x 5-1/2 (124.2 x 45.6 x 14.0)
Front Install	49 (124.5)		11-1/2 (29.2)	

Framing Dimensions:

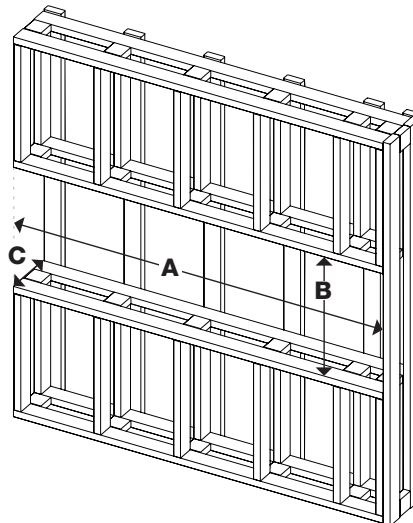
Width	Height	Depth (minimum)
A	B	C
49-1/2" 125.7 cm	24-1/4" 61.6 cm	11-5/8" 29.5 cm

The dimensions are the same for single-sided, two-sided, or three-sided installations.

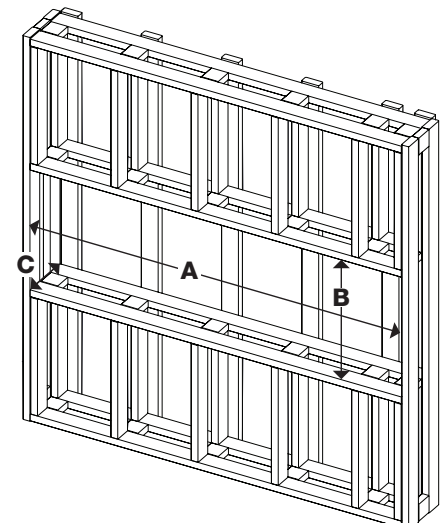
Bay Installation



Right/Left Corner Installation



Front Installation



CAUTION: This fireplace is NOT load-bearing. Ensure the opening for the fireplace is framed in such a way that the weight of the building materials will not create pressure on the top of the fireplace.

NOTE: Wiring is performed at the top right back corner of the firebox. Plan the framing to allow routing the power cable to this location.

NOTE: It is recommended that the bottom of the unit be mounted between 20 in. and 40 in. from the ground to maintain an optimized viewing angle of the flame.