



## DF Series

30" Self-trimming Plug-in Electric Firebox

DF3015

The clean lines of a built-in firebox with plug-in simplicity



The 30" plug-in electric firebox offers a 120 volt plug-in widescreen electric firebox with thermostat controlled fan-forced heat. With our patented electric flame technology, the pulsating embers with hand finished logs molded from real wood logs offer incredible realism.

## DF Series

### 30" Self-trimming Plug-in Electric Firebox

DF3015

#### Features

-  **The Original Dimplex Flame Effect™**  
A blend of technology, artistry and craftsmanship that sets the standard for realism.
-  **Patented Inner Glow Logs**  
Individually molded and hand-finished logs pulse and glow from within for the look of natural burning logs.
-  **Supplemental Heat**  
Includes a fan-forced heater that provides supplemental warmth for small spaces up to 1,000 square feet.
-  **Thermostat Control**  
Provides temperature control to ensure consistent comfort.
-  **Heater Disable**  
Easily disable the heater for tamperproof operation in commercial and residential installations.
-  **Multi-function Remote**  
Control 100% of the fireplace features from the comfort of your chair.
-  **All-season Flames**  
Enjoy the unique charm of a fireplace 365 days a year using the flames without the heat.
-  **Zero Emissions**  
The most sustainable fireplace option; no emissions and 100% efficient.
-  **Cool-touch Glass**  
Glass remains cool making it safe for any location and any user.
-  **Just plug It In**  
Simply plug into any standard household outlet for instant ambiance.

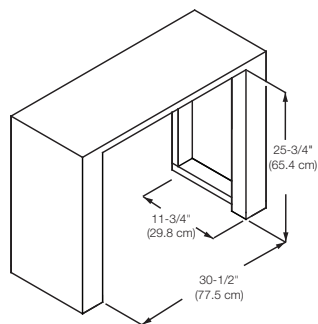
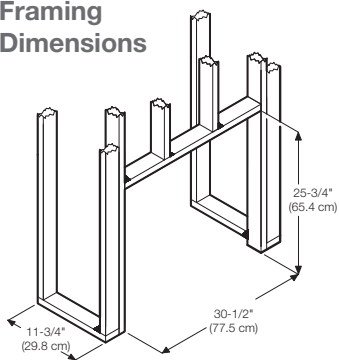


26-3/8"  
67.0 cm

31-1/8"  
79.7 cm

10-5/8"  
26.8 cm

#### Framing Dimensions



Multi-function Remote

120 Volts | 1,500 Watts | 5,118 BTU

Model #	Description	Lbs / Kg (packaged)	UPC	Wty.†	Carton Dimensions (WxHxD)		Cube	
					Inches	cm	ft <sup>3</sup>	m <sup>3</sup>
DF3015	30" self-trimming firebox with refractory brick look interior	66.5 / 30.2 (74.0 / 33.6)	781052043213	5 yr.	36 x 14 x 29	91.4 x 35.6 x 73.7	8.5	0.2

Specifications, finishes and dimensions are subject to change. †Limited warranty. ©2022 Glen Dimplex Americas

SE-034-R05-111722