

### Linear Convactor Heater

#### LC Series

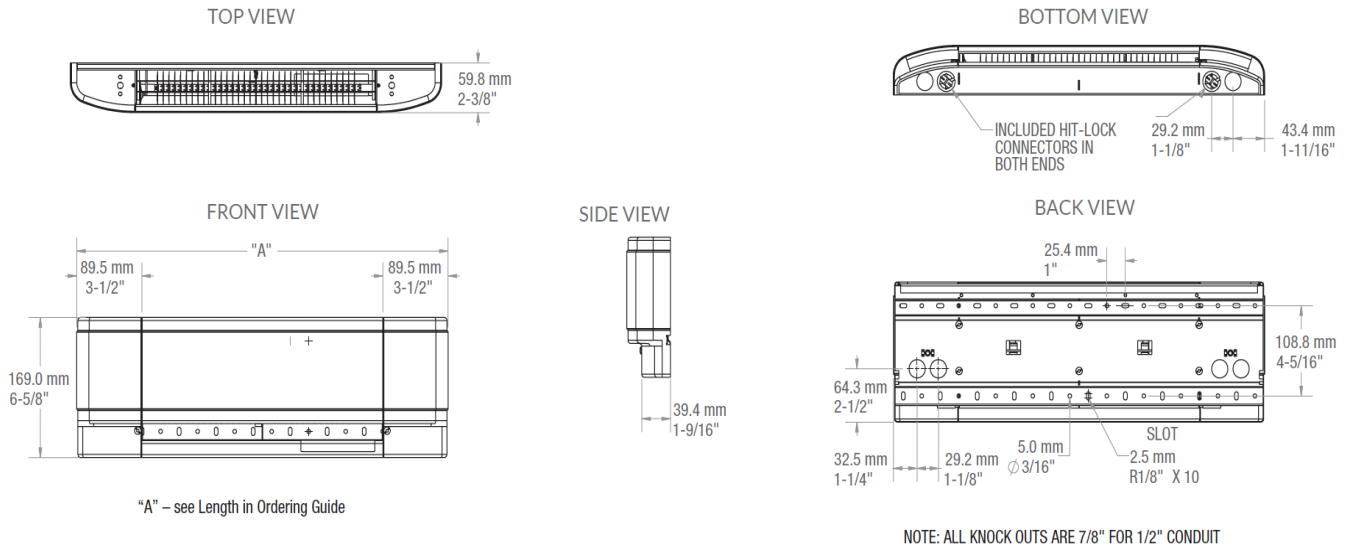


#### Features

- Color** - White
- Finish** - Epoxy/polyester powder paint
- Voltage** - 240V/208V
- Wattage** - Sizes ranging from 500W to 2500W
- Construction** - 22-gauge steel construction
- Heating Element** - Stainless steel sheathed, nickel chromium element; fully enclosed, providing superior life expectancy and resistance to rust.
  - Shark-fin shaped aluminum element fins are firmly staked in an upright position to provide directional wicking for the top discharge and superior heat transfer
  - Full length automatic overheat cut-out for safety
- Control** - May be used with wall, or top mounted built-in thermostat
  - Mechanical or TRIAC relays available
- Installation** - Easily removed front caps (L-slot requires ¼ turn on screw to remove)
  - Knock-outs on both sides of the unit, pre-stamped mounting holes
- Warranty** - 1-year warranty on complete unit; 10-year element warranty
- Applications** - All residential and commercial installations

## Linear Convactor Heater

### LC Series



Cat. No	Watts	Volts	BTU	Length (mm/in)	Weight (kg/lbs)	Qty
LC2005W31	500 / 375	240 / 208	1706 / 1280	508 / 20	1.7 / 3.75	
LC2507W31	750 / 563	240 / 208	2559 / 1919	635 / 25	2.0 / 4.40	
LC3010W31	1000 / 750	240 / 208	3412 / 2559	762 / 30	2.3 / 5.00	
LC3512W31	1250 / 938	240 / 208	4265 / 3199	889 / 35	3.0 / 6.65	
LC4015W31	1500 / 1125	240 / 208	5118 / 3839	1016 / 40	3.2 / 7.50	
LC5020W31	2000 / 1500	240 / 208	6824 / 5120	1270 / 50	3.7 / 8.20	
LC6025W31	2500 / 1875	240 / 208	8530 / 6398	1524 / 60	4.4 / 9.70	

Note: Standard color is white

### Options

Product No.	Description	Factory Installed	Kit	Qty
DTK-SP	Single pole built-in adjustable thermostat. 120-240V, 17A, 347, 14A, 600V, 10A			
DTK-DP	Double pole built-in adjustable thermostat. 120-240V, 17A, 347, 14A, 600V, 10A			

Specifications may change without prior notice

### Linear Convectector Heater

#### LC Series

#### Project Details

Project:	Approval Information
Consultant Engineer:	
Electrician Contractor:	
Distributor:	
Date :	
Contact at Dimplex:	
Comments:	