

PORTABLE CONSTRUCTION HEATER

Heavy duty construction provides maximum durability for work site conditions where temporary heat is required.

BENEFITS

- 300 CFM delivers powerful heat output
- Thermal overheat protection stops heater from running if it gets too hot
- Fan delay uses residual heat to save energy and maintain temperature
- Includes 6 foot cord with NEMA standard plug (6-30P)
- Stainless steel tubular element
- Built-in thermostat
- Power interrupt thermal cut out for overheat protection

APPLICATIONS

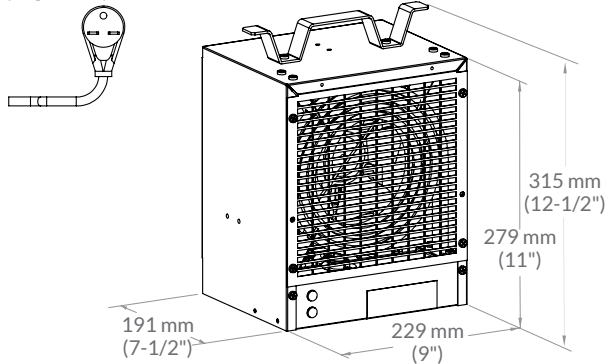
Portable Heat for Workshops | Garages | Construction Sites

SPECIFICATIONS

Voltage	240V
Wattage	4800W
Color	Grey
Finish	Powder coating resists fading and abrasion
Control	Built-in, double-pole thermostat with temperature range of 5-57°C (41-135°F)
Warranty	1-year warranty on complete unit

DIMENSIONS

3 prong polarized plug 30 Amp



ORDERING GUIDE

Cat. No.	Watts	BTU	Volts	CFM	Weight (kg/lb.)
DCH4831LG	4800	16377	240	300	4.95 / 10.9

